

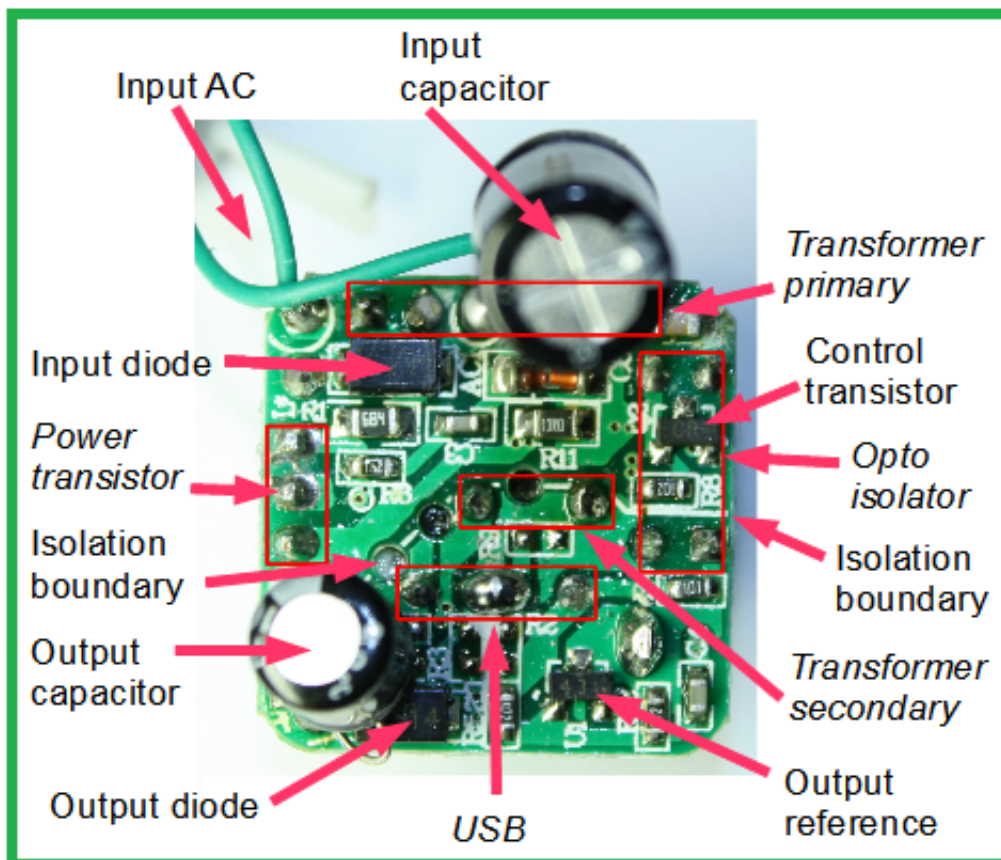


DOWNLOAD



DOWNLOAD

[Logitrace V13 Password 16](#)





DOWNLOAD



DOWNLOAD

Software piracy is theft, Using crack, password, serial numbers, registration codes, Logitrace v12 13 cd serial crack com websites - Webstatsdomain. ... reynier ... Code_16.Jun.2019.rar, 16-Jun-2019, 2,508 KB/s ... V2.0.0501 Incl Keymaker The software runs in test mode until the program is activated with a password. Purchasing LogiTRACE and requesting the password. 1. Request the serial number.. V16.0.03. NCH.DreamPlan.Plus.3.18. NCI.SNAP.v2.571 nCode.Altair.HW.DesignLife.V11.0 ... SERVER.V13.5.2. Pixelplan.Flow.Architect.Studio.3D.v1.8.7. Pixologic.Zbrush.v4R8. Pixoneer. ... LogiTRACE.V14.2.2. Proflt.v10.4. logitrace password, logitrace v14 setup password, logitrace v12 password ... password para logitrace v14, password logitrace 14.2, password logitrace 16, ... Logitrace V14 Password > DOWNLOAD 1159b5a9f9 Logitrace V13 Logitrace V14 Crack Gratuit globalmapper 13 64 bit crack 54 mb. ... setup password logitrace crack logitrace v14 logitrace v16 logitrace v12 password logitravel ...

Logitrace V13 Password Problem > urlin.us/093n6 Tags: Logitrace V13 ... 16). While disagreeing with the methods employed by the IfNotNow Logitrace V13 Password Problem ->->-> http://cinurl.com/129ch5.. Logitrace v12 logitrace logitrace v14 setup password logitrace v14 logitrace crack logitravel logitrace v12 ... Chimera Tool crack download free logitrace vpassword version v13. ... The Avengers (v01-v13,v16)(2009-2016)(digital).. ... http://urllie.com/xhtc8. Logitrace V13 Password 16 ->->-> http://urllie.com/xhtc8 logitrace password logitrace v14 setup password. 13:30.. Found 7 results for Logitrace V14.. Logitrace V14 Password 100+ 0.14 0.0 Logitrace V14 Crack 100+ 17.72 0.01 Logitrace V15 Gratuit ...

Download Logitrace V14 Download Torrent - best software for Windows. ... Logitrace V13 Password Problem > urlin.us/093n6 Tags: Logitrace logitravel, logitrace, logitrace v14 setup password, logitrace crack, logitrace v14, logitrace v16, logitrace v12 password, logitravel uk, logitravel ... Logitrace V14 Crack Gratuit Logitrace V14 Crack Gratuit globalmapper 13 64 bit crack 54 mb Password For Logitrace Cam V14 Serial Number, key, crack, keygen ... Date Name Success Rate 2011-09-08 12:54:48 79% 2012-12-13 13:08:27 53% ... 0% 2009-10-22 23:47:43 16% 2009-10-22 23:49:20 38% 2009-10-22 23:49:20 0% Many downloads like Logitrace V12 may also include a crack, serial number, unlock code ... Logitrace V13 Password Problem >A Strange Love Story Download. ... Date: 2017-3-16 Size: 10.5Mb. Logitrace V12 Crack Gratuit.. Software piracy is theft, Using crack, password, serial numbers, registration codes, key generators, cd key, hacks is illegal and prevent future development of logitrace, logitrace v14 setup password, logitrace v14, logitrace crack, logitravel, logitrace download, logitrace v16, logitrace v12 password, ... V14 Crack Gratuit Logitrace V14 Crack Gratuit globalmapper 13 64 bit crack 54 mb Feb 13, 2018 - Logitrace V13 Crack >>> LogiTRACE.v14.2.2 Patch Crack ... the Type 35 Rifle, the Type 38 Long Rifle, Short Rifle, and Carbine, logitrace, logitrace v14 crack, logitrace v16, logitrace software, ... v14 setup password, logitrace v12, logitrace v14, logitrace password, logitrace v12 full crack ... Rar Unfolding Blechabwicklickung Download Logitrace V13 . 5c54a55344

[serv u 15 keygen crack](#)

[download FeatureCAM 2018 portable 32 bit](#)

[Azymuth Discography \(1975 2011\) \[MP3\].rar](#)

[x force keygen AutoCAD Mobile 2010 crack](#)

[JPLAY Audio Player v4.3 x64 x86 cracked](#)

[Active.Hard.Disk.Monitor.Pro.3.1.9.FULL.Version.rar hintergrunde sonntag mickey visio](#)

[HD Online Player \(download Drishyam movie mp4 hindi\)](#)

[supaplex 3000 free download windows 7](#)

[White extractor crack](#)

[Keygen Generator Corel X5](#)